



High Rise Residential Heat Recovery Ventilation HRV-AF

Minimizing energy loss through the introduction of fresh air.

Product Specifications and Technical Data



Product Description

The ideal in-suite ventilation solution for high rise construction, Unilux delivers top performance in a compact and flexible, easy to install product that is only 9" thick. Easily concealed in a drop ceiling or boxed in drywall location, the Unilux product has been engineered for apartments, condos, seniors living establishments and hotels. The Unilux HRV produces 120 cfm at 0.11 in w.c., enough to provide sufficient fresh air for even the largest suites.

Unilux has developed a unique anti-freeze ducting bypass system that utilizes high speed temperature sensors and motorized dampers to ensure that the core does not freeze, no matter how cold it is outside.

The Unilux HRV has been designed so that the HRV air flow system is configured to ensure sufficient fresh air is provided while maximizing efficiency in energy use.

Approvals

Meets standard c22.2, no113 and ul1812.



Key Features

- PSC or ECM motors available
- Core and filters easily removed for cleaning
- Variety of optional controls
- Reliable economical air flow design
- Horizontal or vertical mounting
- Full anti-freeze protection

Cabinet

Galvanized steel construction, lined with 1" fiberglass insulation backed with aluminum protective coating. Duct diameter 5" (127 mm), drain connection 3/8" (10 mm). Cabinet dimensions – 36" x 20" x 9"

Mounting

Vertical or horizontal mounting, suspended above ceiling or mounted with access panel. Ceiling mounting kits available.

Thermal Recovery Core

Polypropylene, washable core.

Blowers

Blowers are single inlet centrifugal impeller types with forward curved blades.

Motors

Unilux has designs for either Permanent Split Capacitor (PSC) motors or Electronically Commutated Modulation (ECM) motors. These motors are IP-44, shielded bearing, high efficiency types with internal thermal overload protection. Motors meet CSA and UL.

Electrical Requirements

115 vac, 60 hz, 155 watts

Anti Freeze

High speed temperature sensors, trigger motorized spring return damper to isolate core and introduce exhaust air to ensure temperature above 32 degrees Fahrenheit (0 degrees celsius).

Controls

PSC motors with zero crossing phase control. ECM motors using pulse width modulation. Motor speed is controlled using either manual push button (+/-) or optional auxiliary controls.

Filters

2 washable foam filters.

Warranty

Limited 2 year warranty.

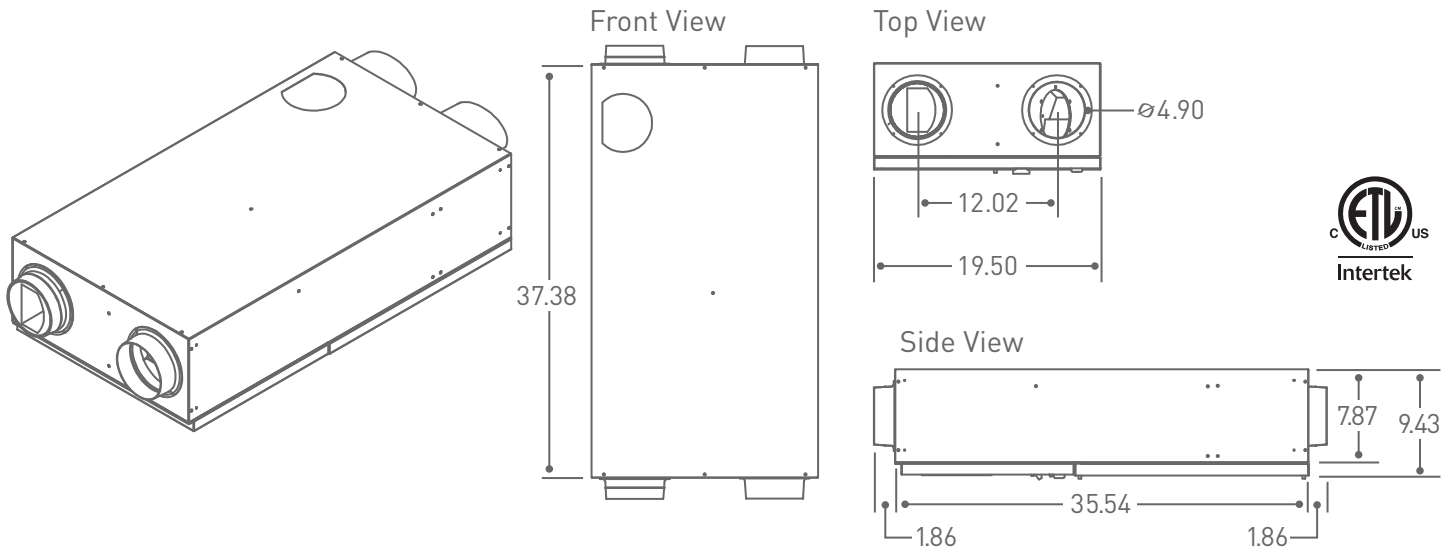


High Rise Residential Heat Recovery Ventilation HRV-AF

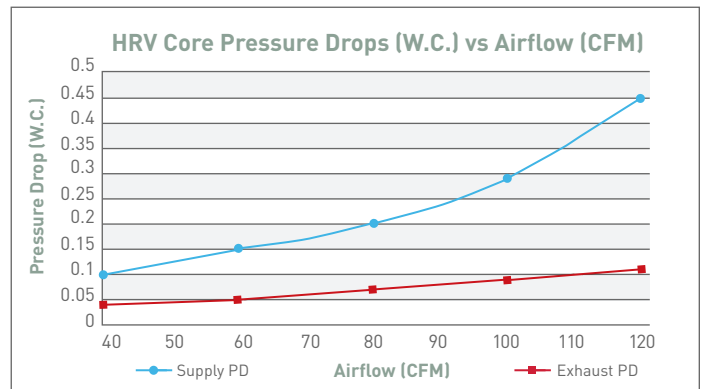
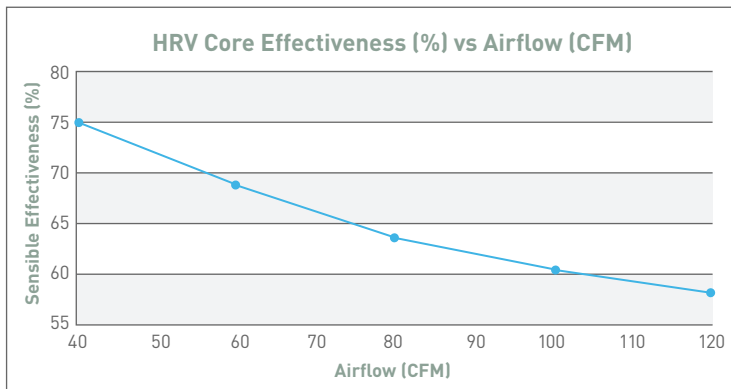
Minimizing energy loss through the introduction of fresh air.

Product Specifications and Technical Data

Dimensions



Performance



	Summer	Winter			
CFM	Effectiveness (cooling)	Effectiveness (heating)	Mean Effectiveness	PD Supply	PD Exhaust
40	74.7	75.5	75.1	0.1	0.04
60	69	68.7	68.85	0.15	0.05
80	64.6	62.6	63.6	0.2	0.07
100	61	59.9	60.45	0.29	0.09
120	58	58.2	58.1	0.45	0.11

MANUFACTURED IN CANADA